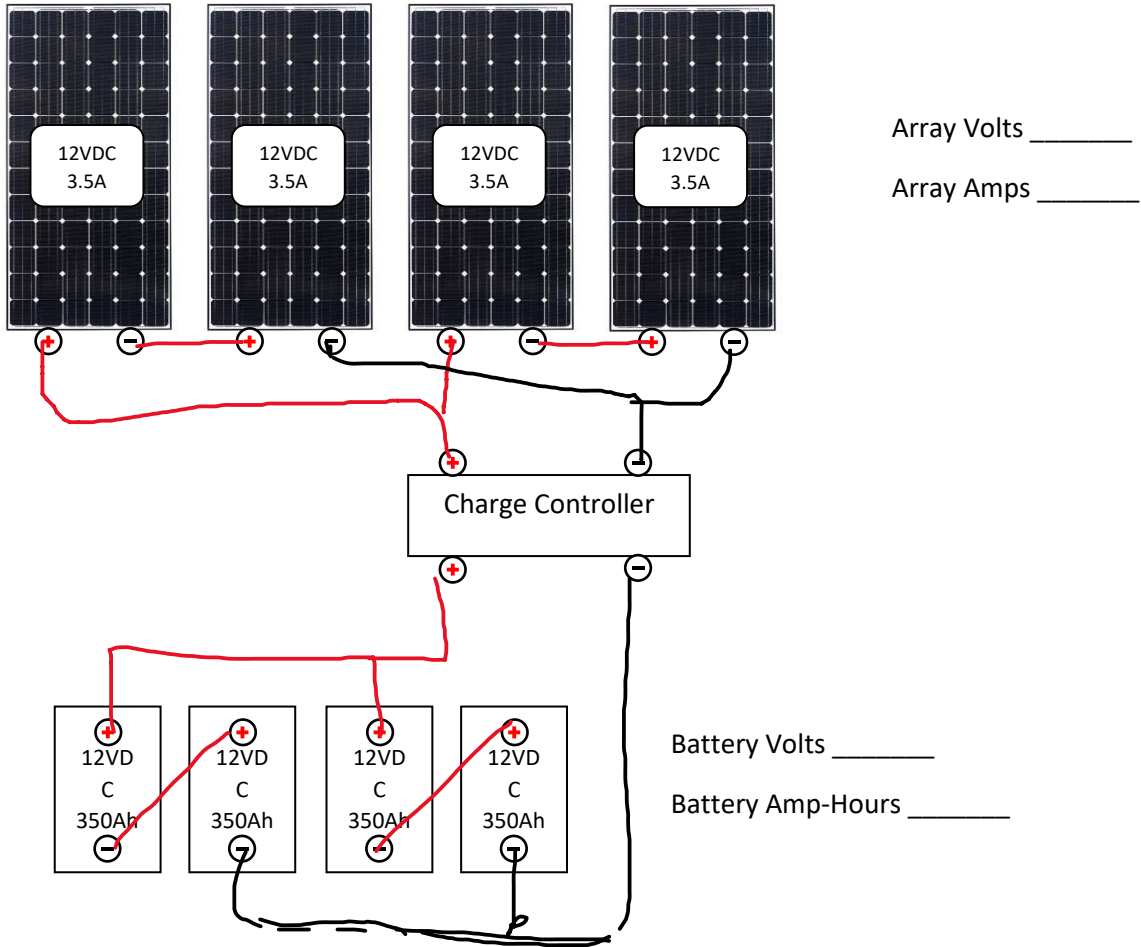


# Off Grid Design Practice

Design a 24V system



# Off Grid Design Practice

Design a 48V system

